

# BRIGHT VISION SERIES

SASON  
001

## STD 8 - YEAR - 2023

# SOCIAL STUDIES & C.R.E.

**READ THESE INSTRUCTIONS CAREFULLY**

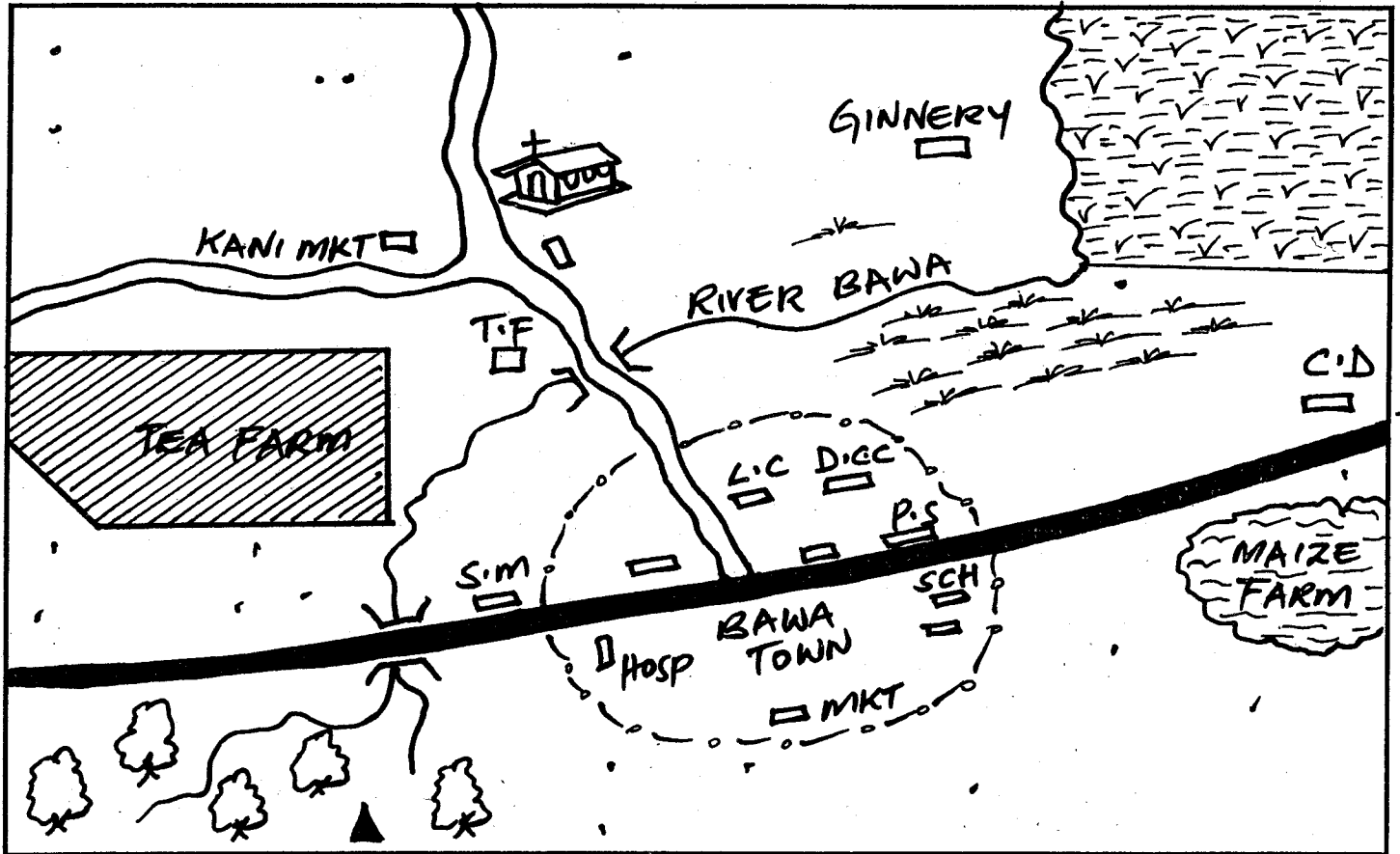
1. Use an ordinary pencil only.
2. Make sure that you have written on the answer sheet.

*TIME: 2Hrs 15Min.*

I. YOUR NAME \_\_\_\_\_

II. NAME OF YOUR SCHOOL \_\_\_\_\_

### BAWA AREA



Scale:- 0 1 2 3 4 5 6 7 8 9 10 11 12 13 14 km

Key:-

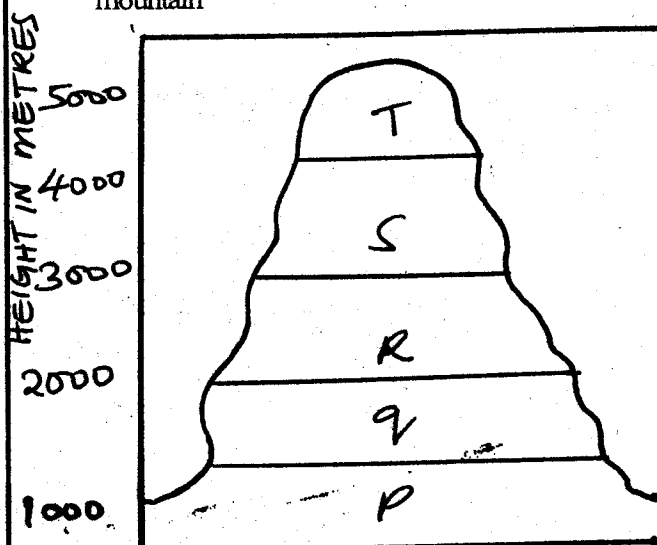
	Tarmac road		Hill		Law court
	Murrum road		Swamp		Hospital
	River and bridge		Houses		Tea factory
	Forest		Deputy County commissioner		Church
	Permanent buildings		Police station		Cattle dip
	Factory		Post office		Market
	Grass				

**Study the map of Bawa area to answer questions**

**1-7.**

1. What is the direction of Kani market from the maize farm?  
A. South West                      B. North West  
C. South East                      D. North East
2. What is the approximate area of the swamp in square kilometres?  
A. 8.5km                              B. 9.5km  
C. 14km                                D. 16.5km
3. The climate of the area to the South West of Bawa can be described as  
A. cool and wet                      B. hot and dry  
C. cool and dry                      D. hot and wet
4. Three of the following activities are carried out in Bawa area **except**  
A. farming                              B. trading  
C. fishing                                D. lumbering
5. The **main** function of Bawa town is that it serves as  
A. education centre                B. administrative centre  
C. trade centre                        D. health centre
6. The type of soil found in the North East of Bawa area is likely to be  
A. volcanic soil                      B. sand soil  
C. alluvial soil                        D. clay soil
7. Bawa area is administered by  
A. County Commissioner  
B. Governor  
C. Deputy County Commissioner  
D. Chief
8. Three of the following are benefits of interaction today **except**  
A. economic independence  
B. exchange of modern technology  
C. appreciation for each other  
D. harmonious co-existence
9. The statements below describe a method of farming.  
*i) Subsistence crops were grown*  
*ii) Small portions of land were cleared*  
*iii) Farming was done manually*  
*iv) Farms were neglected and new land claimed*  
The method of farming described above is  
A. mono cropping                      B. bush fallowing  
C. mixed farming                      D. shift cultivation
10. Which one of the following groups consist of the highland Nilotes only?  
A. Nuer, Keiyo, Luo  
B. Marakwet, Kipsigis, Sabaot  
C. Ogiek, Maasai, Nandi  
D. Samburu, Pokot, Turkana
11. Which one of the following is an economic use of soil?  
A. Burying the dead  
B. Growing of grass  
C. Decorating houses  
D. Smearing on boys during circumcision

12. River Nile and river Niger have one factor in common. It is that both rivers  
A. have mineral deposits at their mouths  
B. form estuaries  
C. are mainly used for irrigation  
D. have deltas
13. Below are characteristics of a relief region of Eastern Africa;-  
*i) It is generally high and flat*  
*ii) It lies between 400m and 1800m above sea level*  
*iii) It has hills that have resisted erosion*  
The relief region described above is  
A. plateaus                              B. rift valley  
C. highlands                            D. lake basin
14. The diagram below represents vegetation zones on a mountain



- What are the main economic uses of the vegetation found in the zones marked p and q respectively?
- A. Pastoralism and recreation
  - B. Manufacturing papers and ranching
  - C. Tourism and lumbering
  - D. Scientific research and beautification
15. The political party that led Zimbabwe to independence was  
A. Zimbabwe African people's Union (ZAPU)  
B. Zimbabwe African National Union (ZANU)  
C. Zimbabwe People Revolutionary Army (ZIPRA)  
D. Zimbabwe African National Liberation Army (ZANLA)
  16. Which one of the following plateaus is **correctly** matched with the country where it is found?  

<u>Plateau</u>	<u>Country where found</u>
A. Bie	Namibia
B. Fouta	Mali
C. Telga	Sudan
D. Ahaggar	Nigeria

17. Below are uses of a mineral;  
*i) Making cooking pans*  
*ii) Making door handles*  
*iii) Making statues*  
*iv) Making ornaments*  
 The mineral described above is  
 A. copper                                      B. gold  
 C. diatomite                                    D. flourspar
18. Which one of the following was a social function of the king of old Ghana?  
 A. Declaring war or peace  
 B. Presiding over religious functions  
 C. Controlling the trans-saharan trade  
 D. Appointing senior government officials
19. The great North Road passes through all the following countries **except**  
 A. Zimbabwe                                    B. Sudan  
 C. Botswana                                      D. Malawi
20. Three of the following regions have equatorial vegetation. Which one does **not**?  
 A. Congo Basin                                    B. Eastern Madagascar  
 C. Eldjoug plateau                                D. Malawi
21. Which one of the following groups consist of plain Nilotes only?  
 A. 

Karamajong
Sabaot
Lango

    B. 

Sebei
Anuak
Njemps

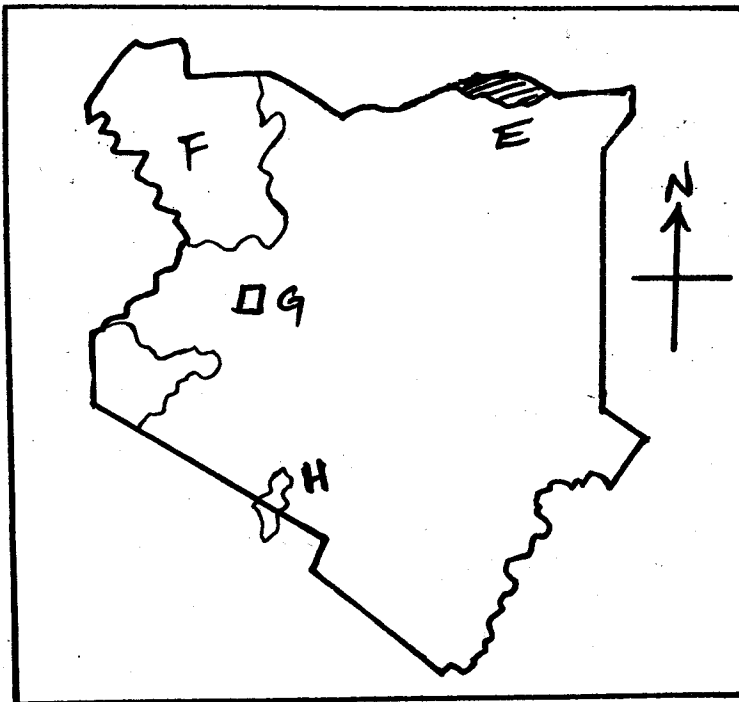
  
 C. 

Pokot
Maasai
Gabbara

    D. 

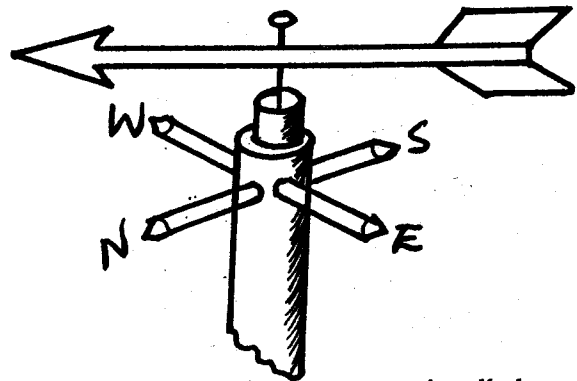
Iteso
Turkana
Samburu
22. Which one of the following **least** explains the importance of school routine?  
 A. Ensures good management of time  
 B. Gives learner freedom to choose what to do  
 C. Promotion of discipline  
 D. Guide teachers in their preparation
23. The statements below describe an early visitor to Eastern Africa;  
*i) He came from Germany*  
*ii) Signed treaties with African leaders*  
*iii) Founded the German Witu company*  
 The early visitor described above is  
 A. Carl Peters                                      B. David Livingstone  
 C. William Mackinnon                            D. Ludwig Krapf
24. The system of colonial administration used by the Portuguese in Mozambique was  
 A. direct rule                                        B. assimilation  
 C. association                                        D. indirect rule
25. One of the similarities of the system of government in Kenya and Eswatini is that in both countries  
 A. elections are held after five years  
 B. use multi-party democracy system  
 C. parliament is bicarmel  
 D. legislators are elected by people
26. Which one of the following is **not** a benefit of beef farming in Eastern Africa?  
 A. Proper utilization of semi arid areas  
 B. Self reliance in beef supply  
 C. Establishment of related industries  
 D. Prevalence of pests
27. Three of the following islands are found in the Indian Ocean **except**  
 A. Seychelles  
 B. Caboverde  
 C. Mauritius  
 D. Comoros
28. Fish is transported from lake Victoria to Nairobi by  
 A. water transport  
 B. air transport  
 C. railway transport  
 D. road transport
29. Which one of the following actions taken by Kenya citizens shows collective responsibility?  
 A. Starting a business of your choice  
 B. Seeking political positions  
 C. Developing social amenities through harambee spirit  
 D. Buying a piece of land for someone's family
30. Mountains found at the edges of a continent were formed as a result of  
 A. folding  
 B. erosion  
 C. faulting  
 D. volcanicity
31. Which one of the following is an example of a lowland tropical rainforest in Kenya?  
 A. Londiani forest  
 B. Kakamega forest  
 C. Mount Kenya forest  
 D. Arabuko Sokoke
32. In Kenya, civil marriages are conducted by a  
 A. county commissioner  
 B. religious leaders  
 C. magistrate  
 D. clan elder
33. The **main** contribution of cocoa growing to the economy of Ghana is that it has led to  
 A. creation of job opportunities  
 B. earning of foreign exchange  
 C. development of infrastructure  
 D. establishment of related industries
34. Julius Nyerere is best remembered in Tanzania for  
 A. starting the Ujamaa villages programme  
 B. being a founder member of OAU  
 C. leading the country to independence  
 D. participating in the formation of TANU

Use the map provided below to answer questions 35 to 38.



35. The national park marked E is  
 A. Dondori                      B. Arawale  
 C. Malka mari                D. Sibiloi
36. The main economic activity practised in the area marked F is  
 A. pastoralism                B. fishing  
 C. trading                      D. lumbering
37. The town marked G is  
 A. Nakuru                      B. Eldoret  
 C. Thika                        D. Kisumu
38. The relief feature marked H is  
 A. Mt Kilimanjaro            B. Lake Magadi  
 C. Serengeti plains          D. Lake Amboseli
39. Three of the following statements are **true** about processing industries in Kenya. Which one is **not**?  
 A. They rely on local raw materials  
 B. They are mainly located in rural areas  
 C. Most of them produce food stuffs  
 D. They are a major source of government revenue
40. Which one of the following is the **main** function of Dare-Salaam city?  
 A. Administrative centre    B. Commercial centre  
 C. Tourism centre            D. Mining centre
41. The following are tea growing counties in Kenya **except**  
 A. Nyamira                    B. Vihiga  
 C. Laikipia                    D. Bomet
42. During the pre-colonial period, the Luo community was ruled by  
 A. kings                        B. council of elders  
 C. clans heads                D. chiefs

43. African communities lost heavily during their struggle for independence mainly because they  
 A. lacked modern weapons  
 B. were not united  
 C. the colonialist outnumbered them  
 D. lacked support from their neighbours
44. Three of the following statements explain the importance of the National Anthem of Kenya **except** it  
 A. is a form of prayer  
 B. calls on Kenyans to be united  
 C. promotes brotherhood  
 D. encourages Kenyans to be self-reliant
45. Which one of the following is **not** a symbol of National unity in Kenya?  
 A. Public seal                B. National assembly  
 C. Coat of arms              D. National flag
46. Which of the following aspects of our culture need to be preserved?  
 A. Community raids  
 B. Witchcraft  
 C. Use of elders to settle disputes  
 D. Abandoning physically challenged new born babies
47. The diagram below represents a weather measuring instrument.



The above weather instrument is called  
 A. compass                    B. windvane  
 C. anemometer                D. windsock

48. The **best** way of promoting discipline among learners in school is by  
 A. making and implimenting strict school rules  
 B. calling parent for regular meetings to discuss discipline matters  
 C. suspending pupils who influence others negatively  
 D. involving the pupil's government in making school rules
49. Kiptoo was asked by his teacher to suggest the most effective way of curbing drug and substance use in schools. Which measure did he give?  
 A. Punishing learner who abuse drugs and substances  
 B. Sentitizing learners on dangers of using drugs and substances  
 C. Promoting leisure activity for the youth  
 D. Involving parents when such causes arises

50. Which one of the following ways of resolving conflicts involves taking the matter to court?  
 A. Litigation B. Mediation  
 C. Arbitration D. Conciliation
51. Which one of the following components of the constitution of Kenya guarantees human rights?  
 A. Chapter two B. Chapter six  
 C. Chapter four D. Chapter eleven
52. Which one of the following countries of Africa does not border with the mediterranean sea?  
 A. Morocco B. Western Sahara  
 C. Algeria D. Libya
53. Lewanika Mwanawina collaborated with the British colonialists mainly because he  
 A. wanted to be made a paramount chief  
 B. desired Western education  
 C. needed military support against his enemies  
 D. needed protection against invasion by other European power
54. Which of the following is not a threat to tourism in Africa?  
 A. Translocation of wildlife B. Terrorism  
 C. Deforestation D. Pollution
55. When Kenya gained internal self government in 1963, Kenyatta become the  
 A. governor  
 B. president  
 C. minister for foreign affairs  
 D. prime minister
56. One of the factors that undermines national unity in society is  
 A. promoting games and sports  
 B. ethnicity  
 C. encouraging dialogue  
 D. equality of rule of law
57. Which one of the following groups of countries are members of the Southern Africa Development Community (SADC)?  
 A. Zambia, Madagascar, Congo  
 B. Angola, Chad, Cameroon  
 C. Namibia, Botswana, Mozambique  
 D. South Africa, Gabon, Lesotho
58. In Kenya members of parliament are sworn in by the  
 A. clerk of the National Assembly  
 B. speaker of the National Assembly  
 C. the president  
 D. chief justice
59. Which one of the following is a function of county governments in Kenya?  
 A. Approving the national budget  
 B. Employing the national police officers  
 C. Setting aside recreation centres  
 D. Allocating the constituency development funds (CDF)
60. According to the constitution of Kenya, the Independent Electoral and Boundaries Commission (IEBC) should have a total number of  
 A. 10 commissioners  
 B. 5 commissioners  
 C. 4 commissioners  
 D. 7 commissioners
- C.R.E.**
61. Let light appear in the sky to separate day and night Genesis 1:14. When did this take place according to the creation stories?  
 A. Second day B. Third day  
 C. Fourth day D. Fifth day
62. The rainbow was a sign of the covenant between God and Noah. It reminds christians that  
 A. Jesus will come back to take the righteous  
 B. Judgement day is coming soon  
 C. The presence of God is manifested through it  
 D. God will not destroy the earth with floods again
63. Abraham and Lot separated mainly because  
 A. they were from different tribes  
 B. they wanted to build altars to God  
 C. their servant quarrelled over pasture  
 D. God did not want Abraham to walk with him
64. Joseph was put in prison by Potiphar because  
 A. he was accused of stealing  
 B. he preached the word of God  
 C. he was accused of attempting to rape Potiphar's wife  
 D. His brother instructed him to
65. Which of the following is the main reason why the Queen of Sheba visited king Solomon? To  
 A. marry the king  
 B. learn leadership skill from Solomon  
 C. ask for peace between his kingdom and hers  
 D. witness for herself Solomon's wisdom
66. Which one of the following areas did Jacob dream of a stairway from heaven to earth?  
 A. Paniel B. Goshen  
 C. Shechem D. Bethel
67. Which of the following statements about the ten commandment is not true?  
 A. They were given to the Israelites through Abraham  
 B. The first four commandments have to do with good relationship between God and man  
 C. The last six commandments ensures good relationship between human beings  
 D. They were summarised by Jesus into love
68. Which one of the following did not happen to the Israelites in the wilderness? They  
 A. were fed on manna and quails  
 B. circumcised their male children  
 C. were bitten by snakes  
 D. were attacked by the Amalekites

59. Which one of the following was the main reason why king Saul went to the medium?  
 A. God commanded him to  
 B. God had stopped communicating with him  
 C. He wanted to be healed from the evil spirit  
 D. The medium had called for him
70. Which one of the following sealed the covenant between God and the Israelites?  
 A. Animal blood                      B. Circumcision  
 C. Rainbow                              D. Burning bush
71. Which one of the following parables of Jesus teaches us how different people respond to the word of God? The parable of the  
 A. sower                                      B. good Samaritan  
 C. weeds                                      D. mustard seed
72. Joseph was planning to break his engagement to Mary because  
 A. he found out she was pregnant  
 B. he was afraid of being killed by Herod  
 C. Mary was not able to give birth  
 D. he found out that they were related
73. During the pentecost the presence of the Holy Spirit was symbolised by  
 A. tongues of fire                      B. smoke  
 C. a dove                                      D. flaming torch
74. Which one of the following is the **main** reason why Jesus told his disciples to continue praying at Gethsamene? To  
 A. receive the Holy Spirit  
 B. avoid temptation  
 C. receive God blessings  
 D. show seriousness
75. Peter denied Jesus while at  
 A. the high priests court    B. pilates palace  
 C. Herod's palace              D. Mt. Olive
76. Which one of the following is **not** the role of a church?  
 A. Promoting love and unity  
 B. Providing guidance and counselling  
 C. Correcting the government  
 D. Promoting disharmony among people
77. The angel of God appeared to Gideon when he was  
 A. looking after his sheep  
 B. threshing wheat  
 C. in the wilderness  
 D. in prison
78. The **main** role of a christian is to  
 A. worship God  
 B. perform miracles  
 C. preach the word of God  
 D. help the needy
79. Disciples of Jesus called him Rabbi which means  
 A. Messiah                                      B. Sea of God  
 C. teacher                                      D. healer
80. Which of the following is **not** a way of demonstrating our faith?  
 A. Helping the needy  
 B. Helping the greedy  
 C. Being prayerful  
 D. Sharing with those who do not have
81. We should do our work well as if we are  
 A. not lazy                                      B. going to be rewarded  
 C. working for God              D. Holy
82. Which one of the following is the last statement in the Apostles creed?  
 A. And in life everlasting  
 B. The forgiveness of sins  
 C. The Holy Catholic church  
 D. The communion of saints
83. Jesus gives us new life through his  
 A. death and resurrection              B. miracles  
 C. preaching                                      D. love and care
84. Ancestors in traditional Africa communities are appeased through the following ways **except** one. Which one?  
 A. Naming children after them  
 B. Writing their names in our hearts  
 C. Pouring libation  
 D. Offering sacrifice
85. Which one of the following is **not** done during the burial of the dead in the traditional Africa society?  
 A. Offering sacrifice  
 B. Acquiring new names  
 C. Sharing meals  
 D. Performing rituals
86. God initiated leisure time when He  
 A. created Adam and Eve  
 B. instructed man to work  
 C. rested on the seventh day  
 D. created the garden of Eden
87. What did God tell Samuel when He called him? He  
 A. had been appointed a prophet  
 B. was going to be a great person  
 C. was going to punish Eli and his sons  
 D. was going to rescue Israelites from slavery
88. The **main** message of the book of the gospel is the  
 A. work of the Apostles  
 B. early church  
 C. ten commandments  
 D. life of Jesus Christ
89. One of your classmates tell you that she is living with HIV/AIDS. As a christian you should  
 A. tell her to donate blood  
 B. ask her not to mingle with others  
 C. avoid her company  
 D. advise her to seek medical care
90. We should support peace by doing all the following **except**  
 A. volunteering                                      B. donating money  
 C. accusing others                                      D. praying for others