

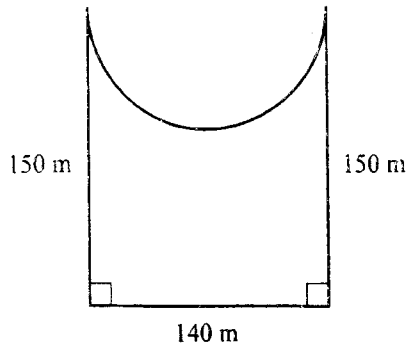
43. Line PQ below is the base of the parallelogram PQRS. Complete the parallelogram in which, angle QPS = 60° and line PS = 4.5 cm.



What is the height of the parallelogram in cm?

- A 3.9
B 5.4
C 6.0
D 9.1
44. Karim paid sh 950 for an item after getting a discount of 5%. What would have been the percentage discount, if Karim had paid sh 925 for the item?
- A $2\frac{12}{19}\%$
B $7\frac{1}{2}\%$
C $7\frac{12}{19}\%$
D $8\frac{4}{37}\%$
45. A motorist driving at 60 km/h was expected to arrive on time in town A, 200 km away. After driving for one hour, the car got a puncture and it took 20 minutes to change the wheel.
- At what speed in km/h did he drive after repairing the puncture if he had to arrive at the expected time?
- A 105
B 100
C 70
D $52\frac{1}{2}$

46. The figure below represents a plot of land bounded by three straight edges and a semi-circle. Three strands of wire are used to fence the plot.



What is the length, in metres, of the wire used?

(Take $\pi = \frac{22}{7}$).

- A 660
 B 1 980
 C 2 640
 D 24 420
47. Which one of the following expressions is the simplest

form of $\frac{7(2r+3)+4r-3}{2(r+1)+4r+7}$?

- A $\frac{6r+6}{2r+3}$
 B $\frac{6r+8}{2r+3}$
 C $\frac{9r}{3r+4}$
 D $2\frac{1}{2}$

48. The table below shows the rates of sending letters and postcards through a post office in year 2004.

Working Space

Surface Mail									
Type of Article	Weight steps	East African Zone		The rest of African Zone		Australia, America & Far East			
		Sh	cts	Sh	cts	Sh	cts		
LETTERS Max. weight 2 kg	Up to 20 g	40	00	45	00	50	00	60	00
	Over 20 g to 100 g	80	00	90	00	100	00	130	00
	Over 100 g to 250 g	135	00	160	00	180	00	230	00
	Over 250 g to 500 g	240	00	280	00	320	00	410	00
	Over 500 g to 1 kg	400	00	465	00	530	00	680	00
	Over 1 kg to 2 kg	650	00	760	00	860	00	1 095	00
POSTCARDS	Standard size	20	00	20	00	25	00	35	00
	Large size	40	00	45	00	50	00	70	00

Makena sent the following letters and postcards:
 Two letters each weighing 21g; one to Tanzania and another to Australia.
 Four letters each weighing 280 g; one to Europe, two to America and one to Nigeria.
 Three large postcards; one to Australia, one to Far East and one to America.

How much did she pay for postage altogether?

- A sh 1 840.00
- B sh 1 730.00
- C sh 1 820.00
- D sh 1 430.00

49. The volume of an open rectangular tank is 24.3 m^3 . The tank has a square base. The height of the tank is 2.7 metres. What is the surface area of the tank in square metres?

- A 32.4
- B 41.4
- C 50.4
- D 178.2

50. Janet borrowed some money at a simple interest of 12% p.a. After 18 months, she had paid a total interest of sh 5 400. How much money had she paid altogether?

- A sh 35 400
- B sh 30 000
- C sh 24 600
- D sh 7 900